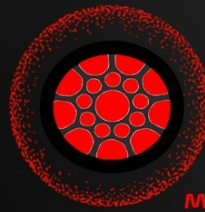


PROFESSIONAL PARTNER EDITION



MARS

Marine Architectural Rigging Systems Ltd

Appointed UK Distributor

For

Hayn Marine and NAVTEC by Hayn

HAYN WIRE RIGGING

MANUFACTURER OF QUALITY HARDWARE

Marine Architectural Rigging Systems Ltd



About Us:

Hayn has been engineering and manufacturing marine, architectural, and industrial rigging hardware since the late 1950's. Hayn's commitment to advanced automation, latest design technology, and manufacturing techniques give us a distinct advantage over our competitors. Hayn offers short lead-times for both our standard products as well as custom components. Hayn's corporate culture includes a highly specialized team that endlessly seeks opportunities for improvement to quality and product features, as well as customer service.

Product Traceability / Quality Control:

All Hayn products have full traceability including raw material certificates and certificates of conformity. Requirements for this documentation should be indicated at time of order. Hayn employs a comprehensive quality system that includes thorough review of any non-conformance of products, internal processes, etc.

Specifications:

Product specifications are subject to change without notice. Catalog images are representative of the product type/family and may not reflect the item purchased. Product drawings are available upon request which include the most recent and accurate information available.

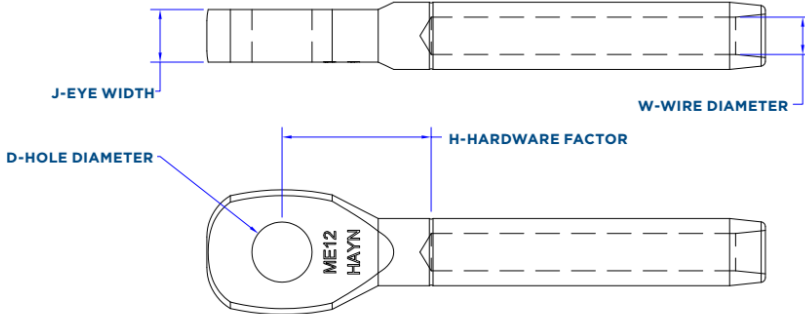
Custom Rigging Products:

Hayn carries a comprehensive standard product offering. In the event that the products required for your rigging application differ from those that are standard catalog items, Hayn will produce custom components to your specifications. Please contact us for pricing and lead-times.



SWAGE MARINE EYES

316 Stainless Steel



Metric Wire Sizes

Part #	W-Wire Ø	D-Hole Ø	H-Hardware Factor	J-Eye Width	Weight kg
MEM03	3mm	6.3mm	17.4mm	5.5mm	0.013kg
MEM04	4mm	8.0mm	20.6mm	6.3mm	0.022kg
MEM05	5mm	9.5mm	23.8mm	8.0mm	0.040kg
MEM06A	6mm	9.5mm	22.2mm	8.0mm	0.054kg
MEM06	6mm	12.7mm	28.5mm	9.5mm	0.099kg
MEM07	7mm	12.7mm	27.7mm	11.9mm	0.127kg
MEM08A	8mm	12.7mm	30.1mm	12.7mm	0.199kg
MEM08	8mm	16.0mm	33.4mm	12.7mm	0.168kg
MEM10	10mm	16.0mm	39.6mm	14.2mm	0.258kg
MEM11	11mm	19.0mm	49.2mm	17.4mm	0.449kg
MEM12	12mm	19.0mm	56.3mm	17.4mm	0.508kg
MEM12US	12mm	22.2mm	52.3mm	22.2mm	0.598kg
MEM14	14mm	22.2mm	57.1mm	20.6mm	0.748kg
MEM16	16mm	25.4mm	58.8mm	23.8mm	1.05kg
MEM19	19mm	28.5mm	63.5mm	26.1mm	1.88kg
MEM22	22mm	31.7mm	87.3mm	30.1mm	2.97kg
MEM26	26mm	34.9mm	88.9mm	34.9mm	4.06kg

Hayn produce these top-quality marine eyes in house.

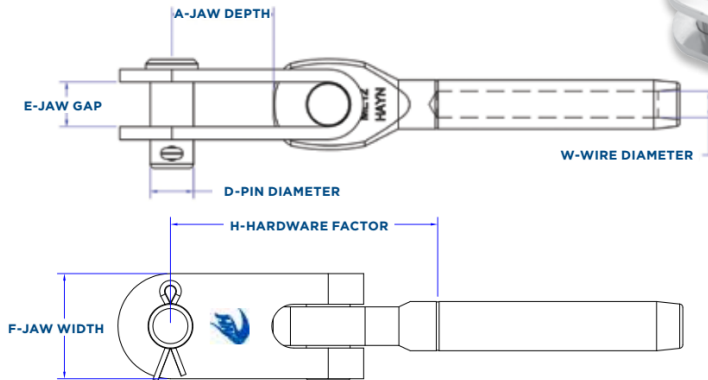
Manufactured from 316 grade stainless steel bar, these marine eyes are of the finest quality.

Swageline depth indicators, size identification.



SWAGE RIGGING TOGGLES

316 Stainless Steel



Part #	W-Wire Ø	D-Pin Ø	A-Jaw Depth	E-Jaw Gap	F-Jaw Width	H-Hardware Factor	Weight kg
14RTM03	3mm	6.3mm	14.2mm	6.3mm	16.0mm	41.2mm	0.040kg
516RTM04	4mm	8.0mm	15.8mm	8.0mm	19.0mm	44.4mm	0.054kg
38RTM05	5mm	9.5mm	19.0mm	9.5mm	23.0mm	54.7mm	0.109kg
38RTM06	6mm	9.5mm	20.6mm	9.5mm	23.0mm	53.1mm	0.140kg
12RTM06	6mm	12.7mm	26.9mm	12.7mm	29.3mm	71.4mm	0.258kg
12RTM07	7mm	12.7mm	26.9mm	12.7mm	29.3mm	69.8mm	0.258kg
12RTM08	8mm	12.7mm	26.9mm	12.7mm	29.3mm	73.0mm	0.326kg
58RTM08	8mm	16.0mm	36.5mm	16.0mm	38.1mm	90.4mm	0.512kg
58RTM10	10mm	16.0mm	36.5mm	16.0mm	38.1mm	96.8mm	0.494kg
34RTM11	11mm	19.0mm	44.4mm	19.0mm	47.6mm	117.4mm	0.920kg
34RTM12	12mm	19.0mm	44.4mm	19.0mm	47.6mm	125.4mm	1.00kg
78RTM12	12mm	22.2mm	73.0mm	22.2mm	60.3mm	153.1mm	1.74kg
78RTM14	14mm	22.2mm	75.4mm	22.2mm	60.3mm	157.9mm	1.97kg
1RTM16	16mm	25.4mm	66.6mm	25.4mm	63.5mm	155.5mm	2.49kg
118RTM19	19mm	28.5mm	69.8mm	28.5mm	69.8mm	165.1mm	4.10kg
114RTM19	19mm	31.7mm	98.4mm	31.7mm	82.5mm	225.4mm	5.55kg
114RTM22	22mm	31.7mm	98.4mm	31.7mm	82.5mm	225.4mm	6.24kg
138RTM26	26mm	34.9mm	109.6mm	34.9mm	101.6mm	239.7mm	9.08kg

Increased jaw depths available. Call for details.

Hayn produce these top-quality marine eye toggles in-house.

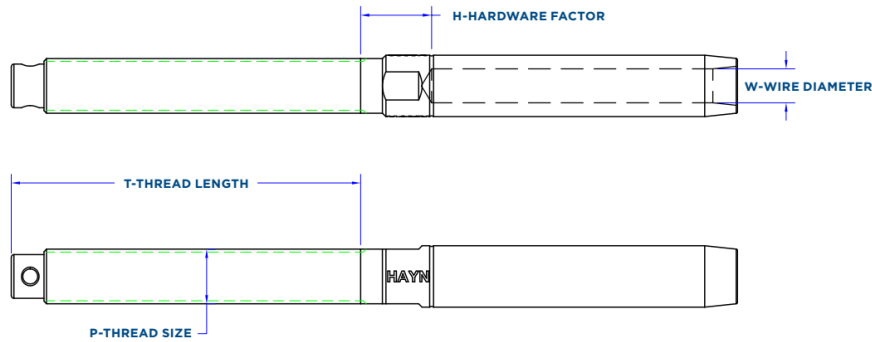
Manufactured from 316 grade stainless steel bar, these marine eyes toggles are of the finest quality.

Eye toggles feature pressed pin construction and full toggling action.

Swageline depth indicators, size identification

SWAGE RIGGING STUDS

316 Stainless Steel



Right Hand

Metric Wire Sizes, Machine Swage

Part #	W-Wire Ø	P-Thread	H-Hardware Factor	T-Thread Length	Weight kg
14SEM03RH	3mm	1/4-28	12.7mm	57.1mm	0.018kg
14SEM04RH	4mm	1/4-28	14.2mm	57.1mm	0.022kg
516SEM04RH	4mm	5/16-24	17.4mm	60.3mm	0.032kg
516SEM05RH	5mm	5/16-24	19.0mm	60.3mm	0.040kg
38SEM05RH	5mm	3/8-24	17.4mm	73.0mm	0.059kg
38SEM06RH	6mm	3/8-24	19.0mm	73.0mm	0.091kg
716SEM06RH	6mm	7/16-20	19.0mm	69.8mm	0.104kg
12SEM06RH	6mm	1/2-20	19.0mm	82.5mm	0.127kg
716SEM07RH	7mm	7/16-20	19.0mm	69.8mm	0.131kg
12SEM07RH	7mm	1/2-20	19.0mm	82.5mm	0.149kg
12SEM08RH	8mm	1/2-20	19.0mm	82.5mm	0.181kg
58SEM08RH	8mm	5/8-18	19.0mm	101.6mm	0.249kg
916SEM10RH	10mm	9/16-18	22.2mm	101.6mm	0.254kg
58SEM10RH	10mm	5/8-18	19.0mm	101.6mm	0.281kg
34SEM11RH	11mm	3/4-16	25.4mm	127.0mm	0.471kg
34SEM12RH	12mm	3/4-16	25.4mm	127.0mm	0.539kg
78SEM12RH	12mm	7/8-14	30.1mm	152.4mm	0.707kg
78SEM14RH	14mm	7/8-14	31.7mm	152.4mm	0.861kg
1SEM14RH	14mm	1-12	34.9mm	158.7mm	1.00kg
1SEM16RH	16mm	1-12	33.4mm	158.7mm	1.23kg
118SEM19RH	19mm	1 1/8-12	31.7mm	177.8mm	1.91kg
114SEM22RH	22mm	1 1/4-12	38.1mm	200.0mm	3.11kg
138SEM26RH	26mm	1 3/8-12	34.9mm	219.0mm	4.23kg

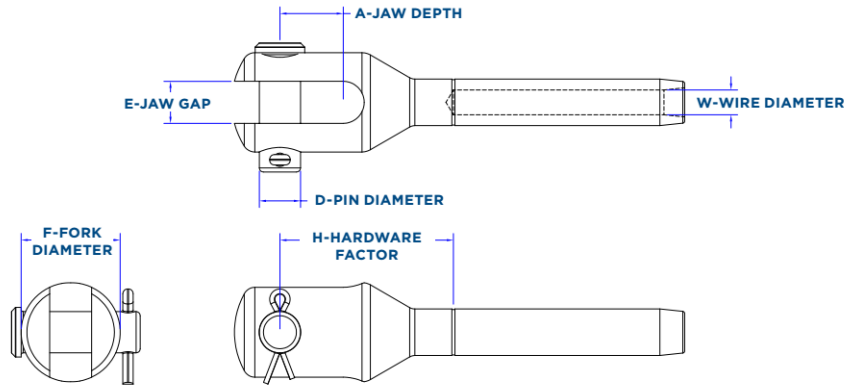
Hayn rigging studs are CNC machined from 316 grade stainless steel.



Marine Architectural Rigging Systems Ltd

SWAGE FORKS

316 Stainless Steel



Part #	W-Wire Ø	D-Pin Ø	A-Jaw Depth	E-Jaw Gap	F-Fork Ø	H-Hardware Factor	Weight kg
SFM03	3mm	6.3mm	9.5mm	6.3mm	14.2mm	25.4mm	0.022kg
SFM04	4mm	8.0mm	11.1mm	8.0mm	17.4mm	28.5mm	0.040kg
SFM05	5mm	9.5mm	14.2mm	9.5mm	22.2mm	34.9mm	0.081kg
SFM06	6mm	11.1mm	17.4mm	11.1mm	25.4mm	44.4mm	0.145kg
SFM07	7mm	12.7mm	18.2mm	12.7mm	28.5mm	42.8mm	0.199kg
SFM08DS	8mm	12.7mm	17.4mm	12.7mm	28.5mm	46.0mm	0.240kg
SFM08	8mm	14.2mm	23.8mm	14.2mm	34.9mm	52.3mm	0.340kg
SFM08US	8mm	16.0mm	23.8mm	16.0mm	38.1mm	58.8mm	0.489kg
SFM10	10mm	16.0mm	23.8mm	16.0mm	38.1mm	66.6mm	0.925kg
SFM12	12mm	19.0mm	25.4mm	19.0mm	47.6mm	76.2mm	1.22kg
SFM14	14mm	22.2mm	33.4mm	22.2mm	53.9mm	79.3mm	1.97kg
SFM16	16mm	25.4mm	37.3mm	25.4mm	63.5mm	85.7mm	2.42kg
SFM19	19mm	28.5mm	44.4mm	28.5mm	69.8mm	130.1mm	3.55kg
SFM22	22mm	31.7mm	49.2mm	31.7mm	76.2mm	117.4mm	4.36kg
SFM26	26mm	34.9mm	53.9mm	34.9mm	82.5mm	142.8mm	5.53kg

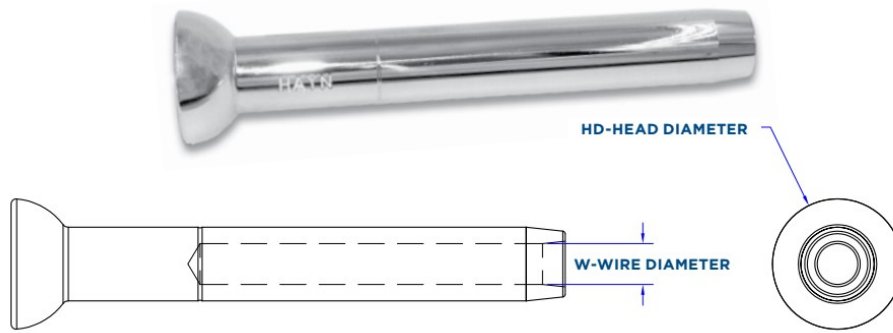
Manufactured from 316 grade stainless steel bar, these swage forks are of the finest quality.

Features:

Swageline depth indicators.

SWAGE STEM BALL TERMINALS

316 Stainless Steel



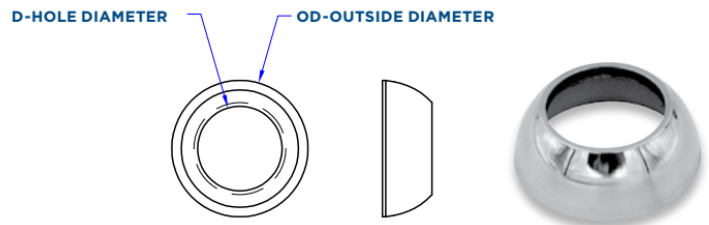
Part #	W-Wire Ø	Cup Washer #	HD-Head Ø	RAD-Radius	Weight kg
SBM03	3mm	SBC18	12.6mm	6.3mm	0.009kg
SBM04	4mm	SBC532	17.5mm	8.8mm	0.022kg
SBM04X15	4mm	SBC532	16.2mm	8.8mm	0.032kg
SBM05	5mm	SBC316	17.2mm	8.6mm	0.036kg
SBM06	6mm	SBC14	20.6mm	10.3mm	0.077kg
SBM07	7mm	SBC932	21.6mm	22.0mm	0.117kg
SBM07X25	7mm	-	25mm	12.4mm	0.127kg
SBM08	8mm	-	27.2mm	13.8mm	0.163kg
SBM08X25	8mm	SBC516	25.0mm	12.4mm	0.154kg
SBM10	10mm	-	31.5mm	15.8mm	0.244kg
SBM10X27.5	10mm	SBC38	27.5mm	13.8mm	0.226kg
SBM11	11mm	-	31.5mm	15.7mm	0.317kg
SBM11X27	11mm	SBC38	27mm	13.4mm	0.304kg
SBM12	12mm	-	35mm	17.5mm	0.394kg
SBM12X32	12mm	-	32mm	16.0mm	0.358kg
SBM14	14mm	-	43mm	21.8mm	0.653kg

*NOTE: Due the numerous variations in Stemball configurations on the market, custom configurations are available to your specifications. Call for pricing and lead-times.

STEMBALL CUP WASHERS

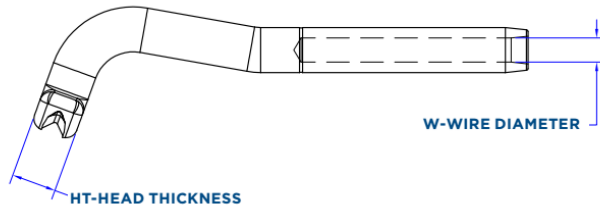
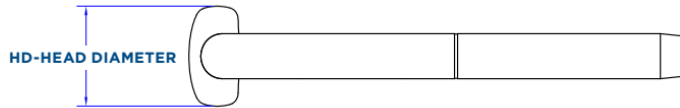
316 Stainless Steel

Part #	D-Hole Ø	OD-Outside Ø	Weight kg
SBC18	8.8mm	25.9mm	0.009kg
SBC532	8.8mm	25.9mm	0.009kg
SBC316	10.9mm	25.9mm	0.009kg
SBC732	13.2mm	25.9mm	0.009kg
SBC14	16.2mm	25.9mm	0.009kg
SBC932	16.2mm	25.9mm	0.009kg
SBC516	20.0mm	34.0mm	0.013kg
SBC38	20.0mm	34.0mm	0.013kg



SWAGE "T" TERMINALS

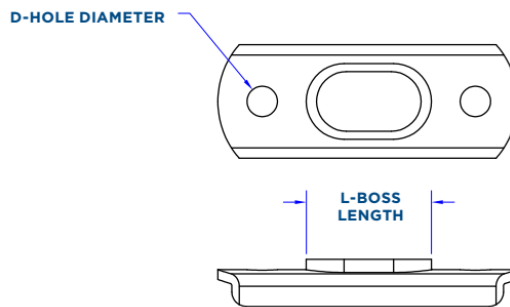
316 Stainless Steel



Part #	W-Wire Ø	HT-Head Thickness	HD - Head Ø	Weight kg
HYN-TBM03	3mm	6.3mm	16.5mm	0.018kg
HYN-TBM04	4mm	8.8mm	17.5mm	0.032kg
HYN-TBM05	5mm	11.1mm	20.0mm	0.050kg
HYN-TBM06	6mm	14.2mm	27.9mm	0.190kg
HYN-TBM07	7mm	14.2mm	27.9mm	0.276kg
HYN-TBM08	8mm	17.7mm	32.0mm	0.371kg
HYN-TBM10	10mm	17.7mm	32.0mm	0.662kg

"T" TERMINAL BACKING PLATES

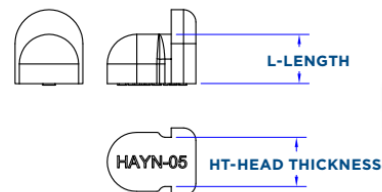
316 Stainless Steel



Part #	Terminal Wire Size	D-Hole Ø	J-Width	L-Length	Weight kg
SHBPM03	1/8" - 3mm	4.7mm	10.1mm	15.2mm	0.009kg
SHBPM04	5/32" - 4mm	4.7mm	14.2mm	29.4mm	0.032kg
SHBPM05	3/16" - 5mm	6.3mm	16.5mm	27.9mm	0.022kg
SHBPM07	7/32" - 1/4" - 9/32" - 6mm - 7mm	6.3mm	22.3mm	39.3mm	0.095kg
SHBPM10	5/16" - 3/8" - 8mm - 10mm	6.3mm	25.4mm	50.2mm	0.222kg

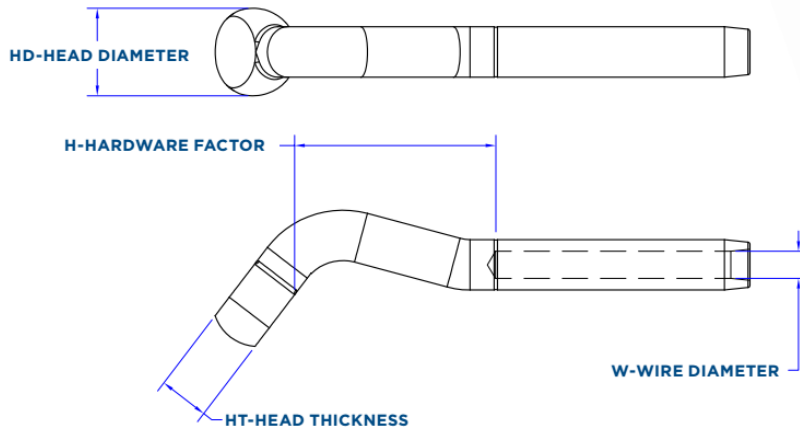
"T" TERMINAL BACKING PLATE RUBBER PLUGS

Part #	Terminal Wire Size	L - Length	HT - Head Thickness	Weight kg
SHRPM03	1/8" - 3mm	5.5mm	6.3mm	0.004kg
SHRPM04	5/32" - 4mm	16.0mm	9.5mm	0.004kg
SHRPM05	3/16" - 5mm	12.7mm	12.7mm	0.004kg
SHRPM07	1/4" - 9/32" - 6mm - 7mm	19.0mm	16.0mm	0.009kg
SHRPM10	5/16" - 3/8" - 8mm - 10mm	19.0mm	16.0mm	0.009kg



SWAGE SHROUD TERMINALS

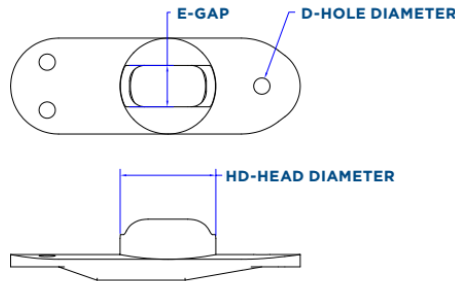
316 Stainless Steel



Part #	W-Wire Ø	HD-Head Ø	HT-Head Thickness	H-Hardware Factor	Weight kg
SHM03	3mm	11.9mm	6.3mm	30.1mm	0.018kg
SHM04	4mm	16.2mm	7.8mm	34.9mm	0.032kg
SHM05	5mm	18.7mm	9.3mm	38.1mm	0.050kg
SHM06	6mm	21.8mm	12.4mm	47.6mm	0.122kg
SHM07	7mm	27.9mm	14.2mm	57.1mm	0.190kg
SHM08	8mm	29.9mm	16.0mm	63.5mm	0.276kg
SHM10	10mm	32.0mm	17.7mm	69.8mm	0.376kg
SHM12	12mm	37.8mm	23.8mm	88.9mm	0.648kg

SHROUD TERMINAL BACKING PLATES

316 Stainless Steel

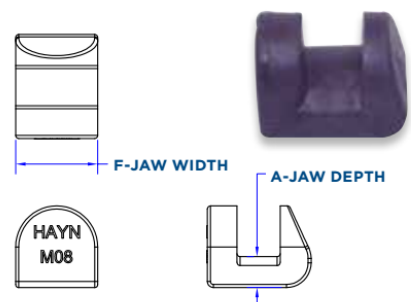


Part #	Terminal Wire Size	D-Hole Ø	HD-Head Ø	E-Gap	Weight kg
SHBPCM06	7/32" - 1/4" - 6mm	6.3mm	31.7mm	14.2mm	0.054kg
SHBPCM07	9/32" - 7mm	6.3mm	41.2mm	17.4mm	0.122kg
SHBPCM08	5/16" - 8mm	6.3mm	41.2mm	17.4mm	0.177kg
SHBPCM10	3/8" - 10mm	6.3mm	44.4mm	20.6mm	0.299kg
SHBPCM12	7/16" - 1/2" - 12mm	6.3mm	50.8mm	22.2mm	0.462kg

*NOTE: Use "T" terminal backing plates for sizes below 1/4" (6mm).

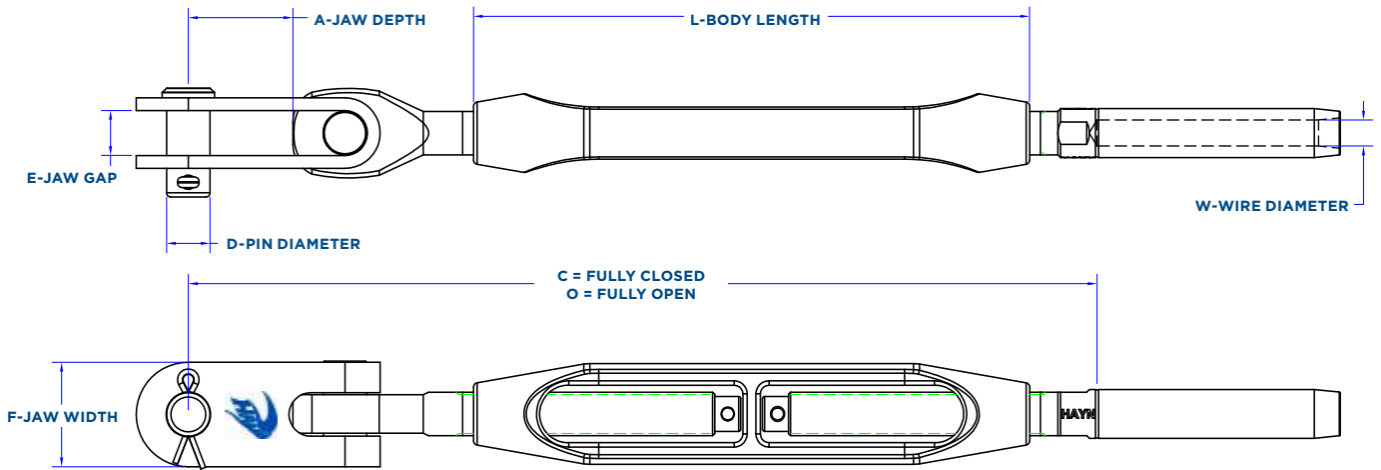
SHROUD TERMINAL BACKING PLATE RUBBER PLUGS

Part #	Terminal Wire Size	A-Jaw Depth	F-Jaw Width	Weight kg
SHRPCM06	1/4" - 6mm	6.3mm	13.4mm	0.004kg
SHRPCM07	9/32" - 7mm	9.5mm	20.6mm	0.009kg
SHRPCM08	5/16" - 8mm	9.5mm	20.6mm	0.009kg
SHRPCM10	3/8" - 10mm	9.9mm	20.6mm	0.009kg
SHRPCM12	7/16" - 1/2" - 12mm	13.4mm	25.4mm	0.013kg



EYE TOGGLE JAW TO SWAGE - OPEN BODY

316 Stainless Steel / Chromed Bronze Turnbuckle Body



SMART PART # KEY toggle pin size | Eye Toggle Forged Bronze | wire size

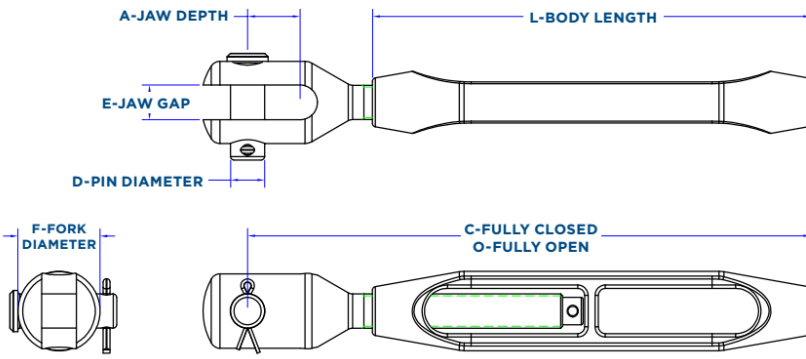
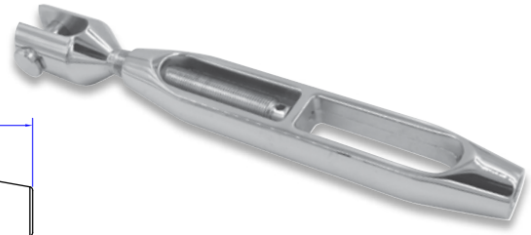


Part #	W-Wire Ø	Thread	D-Pin Ø	O-Open L	C-Closed L	L-Body	A-Jaw Depth	E-Jaw Gap	F-Jaw Width	Weight kg
14ETFBM03	3mm	1/4-28	6.3mm	246.0mm	169.8mm	114.3mm	14.2mm	6.3mm	16.0mm	0.113kg
14ETFBM04	4mm	1/4-28	6.3mm	247.6mm	171.4mm	114.3mm	14.2mm	6.3mm	16.0mm	0.122kg
516ETFBM04	4mm	5/16-24	8.0mm	273.0mm	190.5mm	127.0mm	16.0mm	8.0mm	19.0mm	0.195kg
516ETFBM05	5mm	5/16-24	8.0mm	274.6mm	192.0mm	127.0mm	16.0mm	8.0mm	19.0mm	0.204kg
38ETFBM05	5mm	3/8-24	9.5mm	309.5mm	220.6mm	139.7mm	19.0mm	9.5mm	22.2mm	0.304kg
38ETFBM06	6mm	3/8-24	9.5mm	311.1mm	222.2mm	139.7mm	19.0mm	9.5mm	22.2mm	0.340kg
12ETFBM06	6mm	1/2-20	12.7mm	371.4mm	269.8mm	165.1mm	28.5mm	12.7mm	29.3mm	0.698kg
12ETFBM07	7mm	1/2-20	12.7mm	371.4mm	269.8mm	165.1mm	28.5mm	12.7mm	29.3mm	0.721kg
12ETFBM08	8mm	1/2-20	12.7mm	371.4mm	269.8mm	165.1mm	28.5mm	12.7mm	29.3mm	0.748kg
58ETFBM08	8mm	5/8-18	16.0mm	473.0mm	331.7mm	203.2mm	38.1mm	16.0mm	38.1mm	1.22kg
58ETFBM10	10mm	5/8-18	16.0mm	473.0mm	331.7mm	203.2mm	38.1mm	16.0mm	38.1mm	1.26kg
34ETFBM11	11mm	3/4-16	19.0mm	558.8mm	406.4mm	254.0mm	47.6mm	19.0mm	47.6mm	2.40kg
34ETFBM12	12mm	3/4-16	19.0mm	558.8mm	406.4mm	254.0mm	47.6mm	19.0mm	47.6mm	2.47kg
78ETFBM12	12mm	7/8-14	22.2mm	695.3mm	504.8mm	315.9mm	73.0mm	22.2mm	60.3mm	4.19kg
78ETFBM14	14mm	7/8-14	22.2mm	700.0mm	509.5mm	315.9mm	73.0mm	22.2mm	60.3mm	4.24kg
1ETFBM14	14mm	1-12	25.4mm	770.0mm	541.4mm	360.3mm	66.6mm	25.4mm	63.5mm	5.73kg
1ETFBM16	16mm	1-12	25.4mm	765.1mm	536.5mm	360.3mm	66.6mm	25.4mm	63.5mm	5.94kg
118ETFBM19	19mm	1 1/8-12	28.5mm	844.5mm	603.2mm	406.4mm	69.8mm	28.5mm	69.8mm	8.94kg
114ETFBM19	19mm	1 1/4-12	31.7mm	971.5mm	704.8mm	454.0mm	98.4mm	31.7mm	98.4mm	11.49kg
114ETFBM22	22mm	1 1/4-12	31.7mm	971.5mm	704.8mm	454.0mm	98.4mm	31.7mm	98.4mm	12.00kg
138ETFBM26	26mm	1 3/8-12	34.9mm	1049.4mm	744.6mm	495.3mm	109.6mm	34.9mm	101.6mm	17.79kg

Increased jaw depths available. Call for details.

FORK AND OPEN BODY

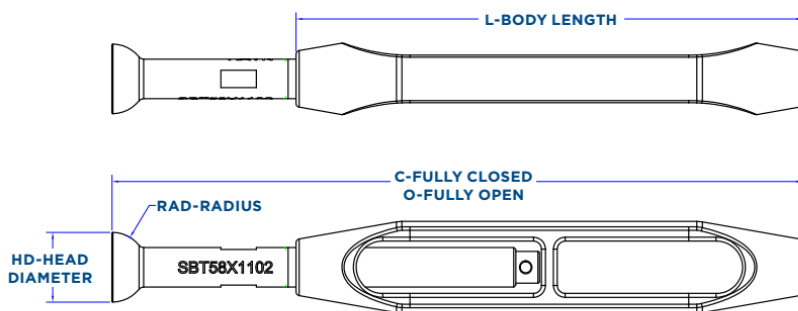
316 Stainless Steel / Chromed Bronze Turnbuckle Body



Part #	Thread	D-Pin Ø	O-Open L	C-Closed L	L-Body	A-Jaw Depth	E-Jaw Gap	F-Fork Ø	Weight kg
14FBF	1/4-28	6.3mm	176.2mm	138.1mm	114.3mm	9.5mm	6.3mm	14.2mm	0.072kg
516FBF	5/16-24	8.0mm	203.2mm	161.9mm	127.0mm	11.1mm	8.0mm	18.2mm	0.140kg
38FBF	3/8-24	9.5mm	227.0mm	182.5mm	139.7mm	14.2mm	9.5mm	22.2mm	0.213kg
12FBF	1/2-20	12.7mm	265.1mm	214.3mm	165.1mm	17.4mm	12.7mm	28.5mm	0.489kg
58FBF	5/8-18	16.0mm	349.2mm	285.7mm	203.2mm	23.8mm	16.0mm	38.1mm	0.861kg
34FBF	3/4-16	19.0mm	398.4mm	322.2mm	254.0mm	25.4mm	19.0mm	47.6mm	1.74kg
78FBF	7/8-14	22.2mm	493.7mm	398.4mm	315.9mm	33.4mm	22.2mm	53.9mm	2.82kg
1FBF	1-12	25.4mm	568.3mm	454.0mm	360.3mm	37.3mm	25.4mm	63.5mm	4.02kg
118FBF	1 1/8-12	28.5mm	633.4mm	512.7mm	406.4mm	44.4mm	28.5mm	69.8mm	6.32kg
114FBF	1 1/4-12	31.7mm	701.6mm	568.3mm	454.0mm	49.2mm	31.7mm	76.2mm	8.33kg
138FBF	1 3/8-12	34.9mm	768.3mm	615.9mm	495.3mm	53.9mm	34.9mm	82.5mm	10.55kg

STEMBALL AND OPEN BODY

316 Stainless Steel / Chromed Bronze Turnbuckle Body

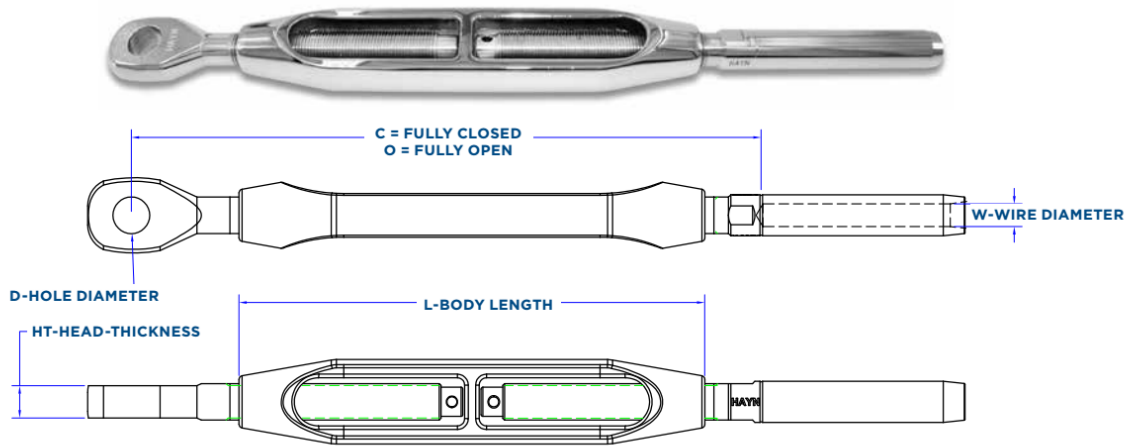


SMART PART # KEY thread size | Forged Bronze StemBall | head diameter

Part #	Wire Ø	Thread	HD-Head Diameter	RAD-Radius	O-Open L	C-Closed L	L-Body	Weight kg
38FBSB693	3/16" - 1/4"	3/8-24	17.6mm	8.7mm	222.2mm	177.8mm	139.7mm	0.172kg
12FBSB1000	1/4" - 5/16"	1/2-20	25.4mm	11.9mm	276.2mm	225.4mm	165.1mm	0.426kg
58FBSB1102	5/16" - 3/8"	5/8-18	27.9mm	13.9mm	339.7mm	276.2mm	203.2mm	0.662kg
34FBSB1102	7/16" - 1/2"	3/4-16	27.9mm	13.9mm	415.9mm	339.7mm	254.0mm	1.31kg

EYE TO SWAGE - OPEN BODY

316 Stainless Steel / Chromed Bronze Turnbuckle Body



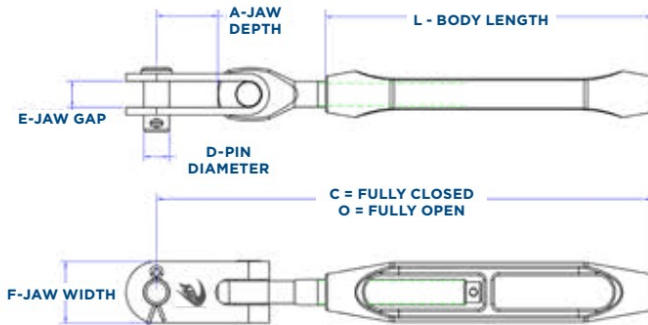
SMART PART # KEY eye pin size | Turnbuckle Forged Bronze Swage | wire size | Eye

Part #	W-Wire Ø	Thread	D-Hole Ø	O-Open L	C-Closed L	L-Body	HT-Head Thickness	Weight kg
14TFBSM03E	3mm	1/4-28	6.3mm	222.2mm	146.0mm	114.3mm	5.5mm	0.086kg
14TFBSM04E	4mm	1/4-28	6.3mm	225.4mm	149.2mm	114.3mm	5.5mm	0.090kg
516TFBSM04E	4mm	5/16-24	8.0mm	247.6mm	165.1mm	127.0mm	6.3mm	0.149kg
516TFBSM05E	5mm	5/16-24	8.0mm	249.2mm	166.6mm	127.0mm	6.3mm	0.158kg
38TFBSM05E	5mm	3/8-24	9.5mm	277.8mm	188.9mm	139.7mm	8.0mm	0.231kg
38TFBSM06E	6mm	3/8-24	9.5mm	279.4mm	190.5mm	139.7mm	8.0mm	0.267kg
12TFBSM06E	6mm	1/2-20	12.7mm	327.0mm	225.4mm	165.1mm	11.9mm	0.539kg
12TFBSM07E	7mm	1/2-20	12.7mm	328.6mm	227.0mm	165.1mm	11.9mm	0.562kg
12TFBSM08E	8mm	1/2-20	12.7mm	328.6mm	227.0mm	165.1mm	11.9mm	0.589kg
58TFBSM08E	8mm	5/8-18	16.0mm	401.6mm	274.6mm	203.2mm	14.2mm	0.911kg
58TFBSM10E	10mm	5/8-18	16.0mm	401.6mm	274.6mm	203.2mm	14.2mm	1.01kg
34TFBSM12E	12mm	3/4-16	19.0mm	490.6mm	338.2mm	254.0mm	18.2mm	1.88kg
78TFBSM14E	14mm	7/8-14	22.2mm	600.0mm	409.5mm	315.9mm	22.2mm	3.15kg
1TFBSM16E	16mm	1-12	25.4mm	668.4mm	439.8mm	360.3mm	23.8mm	4.58kg
118TFBSM19E	19mm	1 1/8-12	28.5mm	742.9mm	501.6mm	406.4mm	26.1mm	6.70kg
114TFBSM22E	22mm	1 1/4-12	31.7mm	835.0mm	568.3mm	454.0mm	30.1mm	8.70kg
138TFBSM26E	26mm	1 3/8-12	34.9mm	898.5mm	593.7mm	495.3mm	33.4mm	12.80kg



EYE TOGGLE JAW AND OPEN BODY

316 Stainless Steel / Chromed Bronze Turnbuckle Body



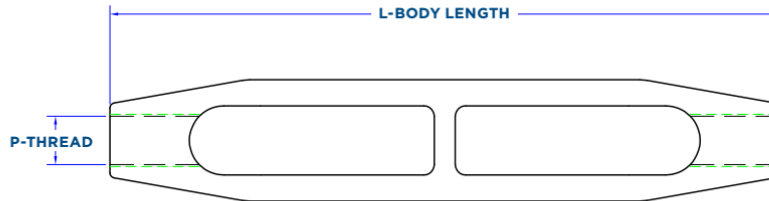
SMART PART # KEY toggle pin size | Eye Forged Bronze Jaw

Part #	Thread	D-Pin Ø	O-Open L	C-Closed L	L-Body	A-Jaw Depth	E-Jaw Gap	F-Jaw Width	Weight kg
14EFBJ	1/4-28	6.3mm	192.0mm	153.9mm	114.3mm	14.2mm	6.3mm	16.0mm	0.095kg
516EFBJ	5/16-24	8.0mm	214.3mm	173.0mm	127.0mm	16.0mm	8.0mm	19.0mm	0.158kg
38EFBJ	3/8-24	9.5mm	241.3mm	196.8mm	139.7mm	19.0mm	9.5mm	22.2mm	0.240kg
716EFBJ	7/16-20	11.1mm	265.1mm	220.6mm	149.2mm	31.7mm	11.1mm	26.9mm	0.403kg
12EFBJ	1/2-20	12.7mm	298.4mm	247.6mm	165.1mm	28.5mm	12.7mm	29.3mm	0.571kg
58EFBJ	5/8-18	16.0mm	371.4mm	307.9mm	203.2mm	38.1mm	16.0mm	38.1mm	1.05kg
34EFBJ	3/4-16	19.0mm	452.4mm	376.2mm	254.0mm	47.6mm	19.0mm	47.6mm	1.91kg
78EFBJ	7/8-14	22.2mm	560.3mm	465.2mm	315.9mm	73.0mm	22.2mm	60.3mm	3.37kg
1EFBJ	1-12	25.4mm	623.8mm	509.5mm	360.3mm	66.6mm	25.4mm	63.5mm	4.71kg
118EFBJ	1 1/8-12	28.5mm	693.8mm	573.0mm	406.4mm	69.8mm	28.5mm	69.8mm	7.01kg
114EFBJ	1 1/4-12	31.7mm	796.9mm	663.5mm	454.0mm	98.4mm	31.7mm	82.5mm	10.06kg
138EFBJ	1 3/8-12	34.9mm	865.1mm	712.7mm	495.3mm	109.6mm	34.9mm	101.6mm	13.38kg

Increased jaw depths available. Call for details.

TURNBUCKLE BODY - OPEN

Chromed Bronze

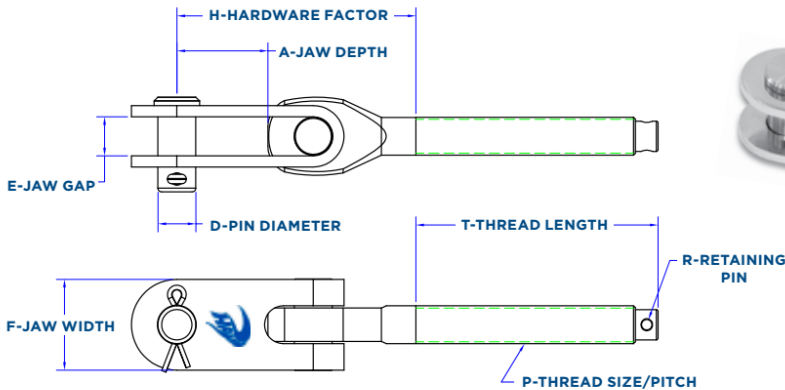


Part #	P-Thread	L-Body Length	Weight kg
14FB	1/4-28	114.3mm	0.045kg
516FB	5/16-24	127.0mm	0.081kg
38FB	3/8-24	139.7mm	0.113kg
716FB	7/16-20	149.2mm	0.158kg
12FB	1/2-20	165.1mm	0.276kg
58FB	5/8-18	203.2mm	0.394kg
34FB	3/4-16	254.0mm	0.875kg
78FB	7/8-14	315.9mm	1.56kg
1FB	1-12	360.3mm	2.28kg
118FB	1 1/8-12	406.4mm	3.37kg
114FB	1 1/4-12	454.0mm	4.65kg
138FB	1 3/8-12	495.3mm	5.75kg



THREADED EYE TOGGLE JAWS with retaining pin hole / Open Body Style

316 Stainless Steel

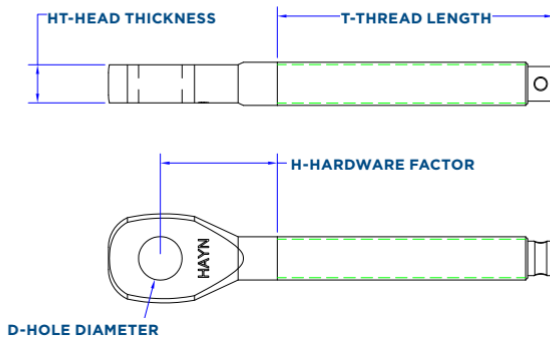


Left Hand Right Hand

Part #	Part #	P-Thread	D-Pin Ø	T-Thread Length	A-Jaw Depth	E-Jaw Gap	F-Jaw Width	H-Hardware Factor	R-Retaining Pin	Weight kg
14ETJLH	14ETJRH	1/4-28	6.3mm	57.1mm	14.2mm	6.3mm	16.6mm	38.1mm	1.5mm	0.045kg
516ETJLH	516ETJRH	5/16-24	8.0mm	60.3mm	16.0mm	8.0mm	19.0mm	46.0mm	2.3mm	0.077kg
38ETJLH	38ETJRH	3/8-24	9.5mm	69.8mm	19.0mm	9.5mm	22.6mm	53.9mm	2.3mm	0.127kg
716ETJLH	716ETJRH	7/16-20	11.1mm	63.5mm	19.0mm	11.1mm	26.9mm	57.1mm	3.1mm	0.176kg
12ETJLH	12ETJRH	1/2-20	12.7mm	82.5mm	28.5mm	12.7mm	29.3mm	76.2mm	3.1mm	0.294kg
58ETJLH	58ETJRH	5/8-18	16.0mm	101.6mm	38.1mm	16.0mm	38.1mm	100.0mm	5.9mm	0.546kg
34ETJLH	34ETJRH	3/4-16	19.0mm	123.8mm	47.6mm	19.0mm	47.6mm	119.0mm	4.7mm	1.04kg
78ETJLH	78ETJRH	7/8-14	22.2mm	139.7mm	73.0mm	22.2mm	60.3mm	149.2mm	4.7mm	1.81kg
1ETJLH	1ETJRH	1-12	25.4mm	158.7mm	66.6mm	25.4mm	63.5mm	155.5mm	4.7mm	2.47kg
118ETJLH	-	1 1/8-12	28.5mm	177.8mm	69.8mm	28.5mm	69.8mm	165.1mm	6.3mm	3.63kg
114ETJLH	-	1 1/4-12	31.7mm	200.0mm	98.4mm	31.7mm	82.5mm	207.1mm	6.3mm	5.43kg
138ETJLH	-	1 3/8-12	34.9mm	222.2mm	109.6mm	34.9mm	101.6mm	217.4mm	6.3mm	7.82kg

THREADED EYE RODS

316 Stainless Steel

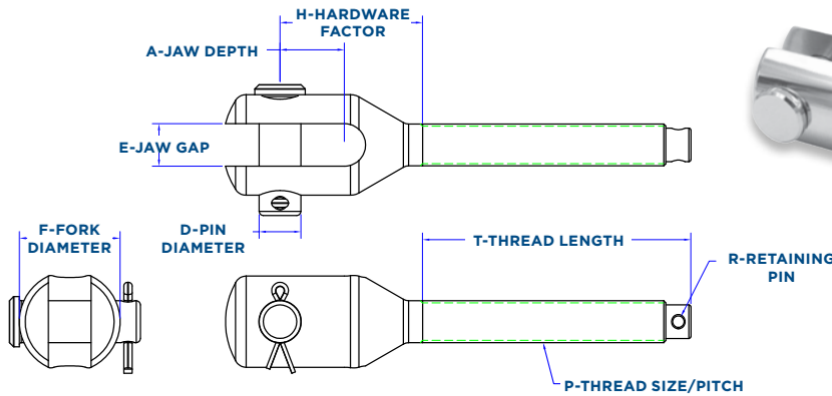


Left Hand		Right Hand	
Open Body Pin Hole	Closed Body w/o Pin Hole	Open Body Pin Hole	Closed Body w/o Pin Hole

Part #	Part #	Part #	Part #	Thread	D-Hole Ø	T-Thread Length	HT-Head Thickness	H-Hardware Factor	Weight kg
14ERLH	14ERLH-P	14ERRH	14ERRH-P	1/4-28	6.3mm	57.1mm	5.5mm	14.2mm	0.018kg
516ERLH	516ERLH-P	516ERRH	516ERRH-P	5/16-24	8.0mm	60.3mm	6.3mm	20.6mm	0.031kg
38ERLH	38ERLH-P	38ERRH	38ERRH-P	3/8-24	9.5mm	69.8mm	8.0mm	22.2mm	0.058kg
716ERLH	716ERLH-P	716ERRH	716ERRH-P	7/16-20	11.1mm	69.8mm	9.5mm	26.9mm	0.086kg
12ERLH	12ERLH-P	12ERRH	12ERRH-P	1/2-20	12.7mm	82.5mm	11.1mm	34.9mm	0.117kg
58ERLH	58ERLH-P	58ERRH	58ERRH-P	5/8-18	16.0mm	101.6mm	11.9mm	42.8mm	0.263kg
34ERLH	34ERLH-P	34ERRH	34ERRH-P	3/4-16	19.0mm	123.8mm	18.2mm	50.8mm	0.458kg
78ERLH	78ERLH-P	78ERRH	78ERRH-P	7/8-14	22.2mm	139.7mm	21.4mm	49.2mm	0.725kg
1ERLH	1ERLH-P	1ERRH	1ERRH-P	1-12	25.4mm	158.7mm	23.8mm	58.8mm	1.04kg
118ERLH	-	-	-	1 1/8-12	28.5mm	177.8mm	26.1mm	63.5mm	1.41kg
114ERLH	-	-	-	1 1/4-12	31.7mm	200.0mm	30.1mm	69.8mm	2.13kg
138ERLH	-	-	-	1 3/8-12	34.9mm	222.2mm	33.4mm	66.8mm	2.78kg

THREADED FORKS

316 Stainless Steel

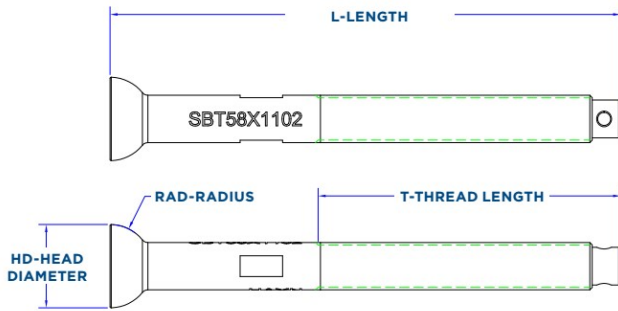


Left Hand Right Hand

Part #	Part #	P-Thread	D-Pin Ø	T-Thread Length	A-Jaw Depth	E-Jaw Gap	F-Fork Ø	H-Hardware Factor	R-Retaining Pin	Weight kg
TF14LH	TF14RH	1/4-28	6.3mm	57.1mm	9.5mm	6.3mm	14.2mm	22.2mm	1.5mm	0.027kg
TF516LH	TF516RH	5/16-24	8.0mm	63.5mm	11.1mm	8.0mm	18.2mm	31.7mm	2.3mm	0.054kg
TF38LH	TF38RH	3/8-24	9.5mm	73.0mm	14.2mm	9.5mm	22.2mm	36.5mm	2.3mm	0.095kg
TF12LH	TF12RH	1/2-20	12.7mm	82.5mm	17.4mm	12.7mm	28.5mm	46.0mm	3.1mm	0.208kg
TF58LH	TF58RH	5/8-18	16.0mm	101.6mm	23.8mm	16.0mm	38.1mm	53.9mm	3.9mm	0.462kg
TF34LH	TF34RH	3/4-16	19.0mm	127.0mm	25.4mm	19.0mm	47.6mm	61.9mm	4.7mm	0.870kg
TF78LH	TF78RH	7/8-14	22.2mm	152.4mm	33.4mm	22.2mm	53.9mm	69.8mm	4.7mm	1.26kg
TF1LH	TF1RH	1-12	25.4mm	174.6mm	37.3mm	25.4mm	63.5mm	84.1mm	4.7mm	1.74kg
TF118LH	TF118RH	1 1/8-12	28.5mm	177.8mm	44.4mm	28.5mm	69.8mm	107.7mm	6.3mm	2.94kg
TF114LH	TF114RH	1 1/4-12	31.7mm	200.0mm	49.2mm	31.7mm	76.2mm	111.1mm	6.3mm	3.67kg
TF138LH	TF138RH	1 3/8-12	34.9mm	219.0mm	53.9mm	34.9mm	82.5mm	123.8mm	6.3mm	4.78kg

THREADED STEM BALLS

316 Stainless Steel



Left Hand

Part #	Thread	HD-Head Diameter	RAD-Radius	T-Thread Length	L-Length	Weight kg
SBT38LHX0.693	3/8-24	17.6mm	11.0mm	73.0mm	104.7mm	0.054kg
SBT12LHX1.000	1/2-20	25.4mm	11.9mm	82.5mm	139.7mm	0.149kg
SBT58LHX1.102	5/8-18	27.9mm	13.9mm	101.6mm	171.4mm	0.267kg
SBT34LHX1.102	3/4-16	27.9mm	13.9mm	127.0mm	206.3mm	0.439kg

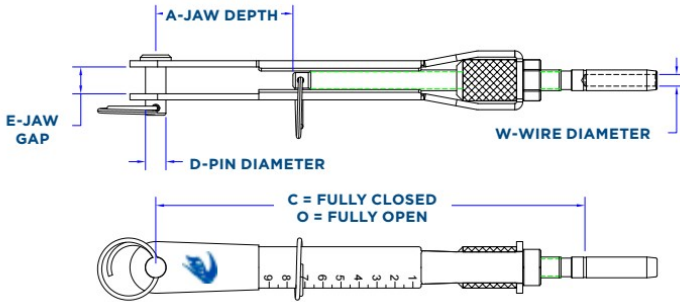


LIFELINE HARDWARE



LIFELINE ADJUSTERS - LONG

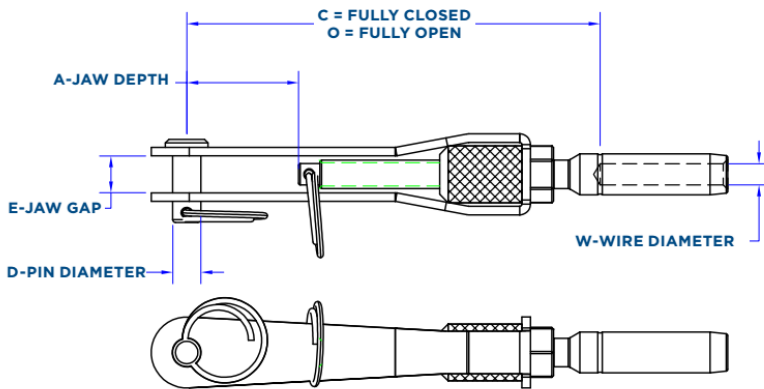
316 Stainless Steel



Part #	W-Wire Ø	D-Pin Ø	Thread	O-Open L	C-Closed L	A-Jaw Depth	E-Jaw Gap	Weight kg
14SALLM03	3mm	6.3mm	1/4-28 RH	187.3mm	133.3mm	33.4mm min.	8.0mm	0.081kg
14SALLM04	4mm	6.3mm	1/4-28 RH	187.3mm	133.3mm	33.4mm min.	8.0mm	0.086kg
14SALLM05	5mm	6.3mm	1/4-28 RH	187.3mm	133.3mm	33.4mm min.	8.0mm	0.090kg

LIFELINE ADJUSTERS - SHORT

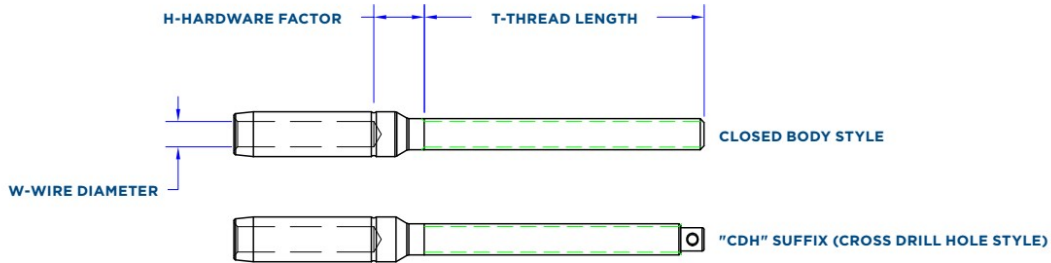
316 Stainless Steel



Part #	W-Wire Ø	D-Pin Ø	Thread	O-Open L	C-Closed L	A-Jaw Depth	E-Jaw Gap	Weight kg
14ALLM04	4mm	6.3mm	1/4-28 LH	117.4mm	92.0mm	25.4mm min.	8.0mm	0.068kg
14ALLM05	5mm	6.3mm	1/4-28 LH	117.4mm	92.0mm	25.4mm min.	8.0mm	0.072kg

LIFELINE STUDS

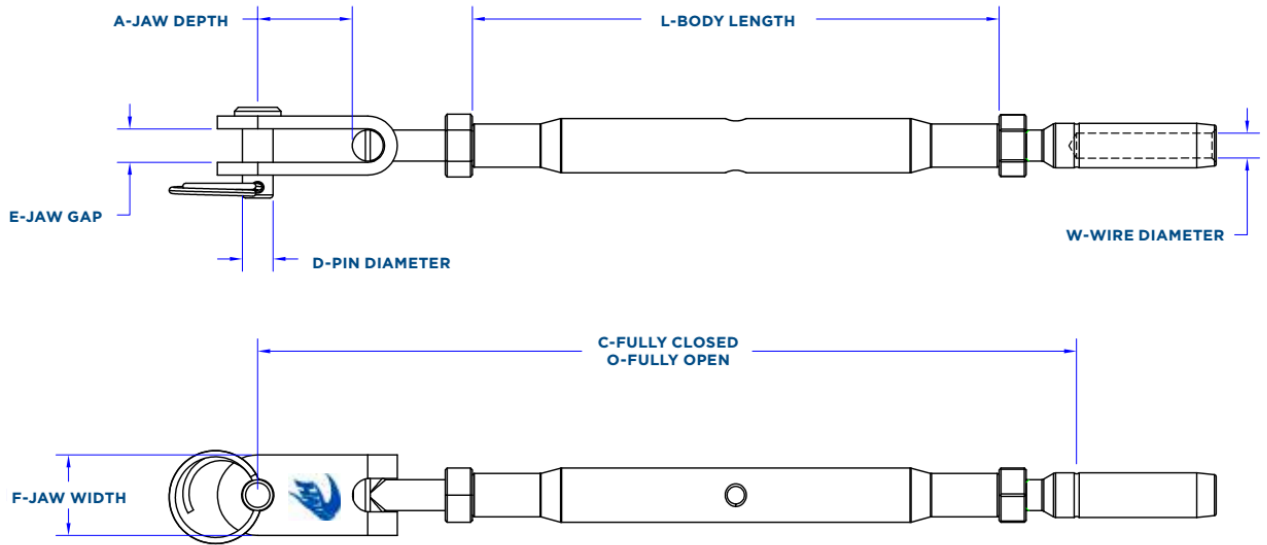
316 Stainless Steel



Right Hand Thread	Left Hand Thread						
Part #	Part #	W-Wire Ø	Thread Size	T-Thread Length	H-Hardware Factor	Where Used	Weight kg
14LLEM03RH	14LLEM03LH	3mm	1/4-28	11.1mm	8.0mm	Gate Eye	0.004kg
14LLPM03RH	14LLPM03LH	3mm	1/4-28	38.1mm	8.0mm	P-Hook3	0.009kg
14LLM03RH	14LLM03LH	3mm	1/4-28	57.1mm	6.3mm	TB-Clsd	0.013kg
14LLM03RHCDH	14LLM03LHCDH	3mm	1/4-28	57.1mm	6.3mm	TB-Open	0.013kg
14ASLLM03RH	-	3mm	1/4-28	82.5mm	8.0mm	Adjuster	0.018kg
14LLE5M04RH	14LLEM04LH	4mm	1/4-28	11.1mm	9.5mm	Gate Eye	0.009kg
14LLPM04RH	14LLPM04LH	4mm	1/4-28	38.1mm	9.5mm	P-Hook3	0.013kg
14LLM04RH	14LLM04LH	4mm	1/4-28	57.1mm	9.5mm	TB-Clsd	0.018kg
14LLM04RHCDH	14LLM04LHCDH	4mm	1/4-28	57.1mm	9.5mm	TB-Open	0.018kg
14ASLLM04RH	-	4mm	1/4-28	82.5mm	11.1mm	Adjuster	0.022kg
14LLEM05RH	14LLEM05LH	5mm	1/4-28	11.1mm	11.1mm	Gate Eye	0.013kg
14LLPM05RH	14LLPM05LH	5mm	1/4-28	38.1mm	11.1mm	P-Hook3	0.018kg
14LLM05RH	14LLM05LH	5mm	1/4-28	57.1mm	11.1mm	TB-Clsd	0.022kg
14LLM05RHCDH	14LLM05LHCDH	5mm	1/4-28	57.1mm	11.1mm	TB-Open	0.022kg
14ASLLM05RH	-	5mm	1/4-28	82.5mm	11.1mm	Adjuster	0.027kg
516LLEM04RH	516LLEM04LH	4mm	5/16-24	11.1mm	14.2mm	Gate Eye	0.013kg
516LLPM04RH	516LLPM04LH	4mm	5/16-24	38.1mm	14.2mm	-	0.018kg
516LLM04RH	516LLM04LH	4mm	5/16-24	60.3mm	14.2mm	TB-Clsd	0.027kg
516LLM04RHCDH	516LLM04LHCDH	4mm	5/16-24	60.3mm	14.2mm	TB-Open	0.027kg
516LLEM05RH	516LLEM05LH	5mm	5/16-24	11.1mm	12.7mm	Gate Eye	0.018kg
516LLPM05RH	516LLPM05LH	5mm	5/16-24	38.1mm	11.1mm	-	0.027kg
516LLM05RH	516LLM05LH	5mm	5/16-24	60.3mm	11.1mm	TB-Clsd	0.031kg
516LLM05RHCDH	516LLM05LHCDH	5mm	5/16-24	60.3mm	11.1mm	TB-Open	0.031kg
516LLEM06RH	516LLEM06LH	6mm	5/16-24	11.1mm	17.4mm	Gate Eye	0.027kg
516LLPM06RH	516LLPM06LH	6mm	5/16-24	38.1mm	9.5mm	-	0.031kg
516LLM06RH	516LLM06LH	6mm	5/16-24	60.3mm	9.5mm	TB-Clsd	0.040kg
516LLM06RHCDH	516LLM06LHCDH	6mm	5/16-24	60.3mm	9.5mm	TB-Open	0.040kg
38LLEM06RH	38LLEM06LH	6mm	3/8-24	11.1mm	17.4mm	Gate Eye	0.027kg
38LLPM06RH	38LLPM06LH	6mm	3/8-24	38.1mm	9.5mm	-	0.036kg
38LLM06RH	38LLM06LH	6mm	3/8-24	69.8mm	11.1mm	TB-Clsd	0.054kg
38LLM06RHCDH	38LLM06LHCDH	6mm	3/8-24	69.8mm	11.1mm	TB-Open	0.054kg

LIFELINE TOGGLE JAW TO SWAGE - CLOSED BODY

316 Stainless Steel

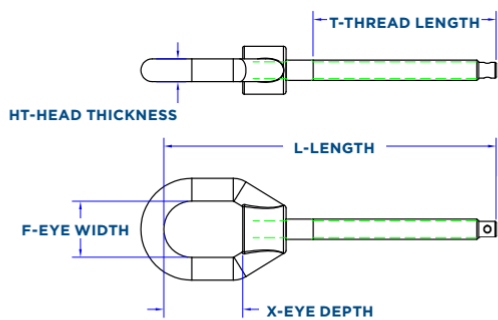


SMART PART # KEY toggle pin size | Tubular Turnbuckle Life Line | wire size

Part #	W-Wire Ø	Thread	D-Pin Ø	O-Open L	C-Closed L	L-Body	A-Jaw Depth	E-Jaw Gap	F-Jaw Width	Weight kg
14TTLLM04	4mm	1/4-28	6.3mm	242.8mm	166.6mm	107.9mm	19.0mm	6.3mm	16.6mm	0.104kg
14TTLLM05	5mm	1/4-28	6.3mm	244.4mm	168.2mm	107.9mm	19.0mm	6.3mm	16.6mm	0.108kg

LIFELINE THREADED GATE EYE RODS (Left Hand Thread)

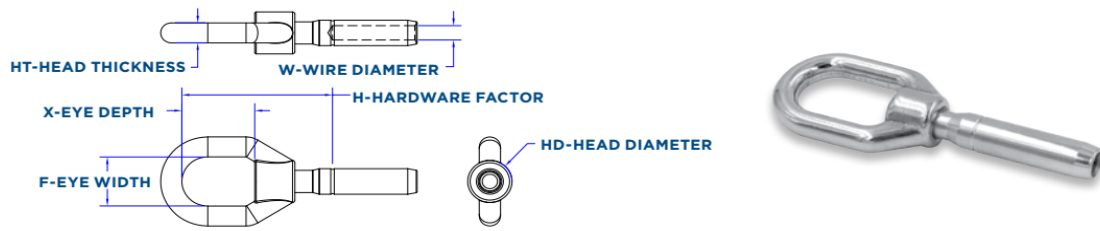
316 Stainless Steel



Part # Pin Hole	Part # W/O Pin Hole	Thread	HD-Head Ø	X-Eye Depth	F-Eye Width	HT-Head Thickness	T-Thread Length	Weight kg
14LLERLH	14LLERLH-P	1/4-28	15.0mm	24.6mm	17.4mm	7.1mm	57.1mm	0.045kg
516LLERLH	516LLERLH-P	5/16-24	15.0mm	24.6mm	17.4mm	7.1mm	60.3mm	0.054kg
38LLERLH	516LLERLH-P	3/8-24	15.0mm	24.6mm	17.4mm	7.1mm	69.8mm	0.081kg

LIFELINE SINGLE GATE EYES (THREADED TYPE)

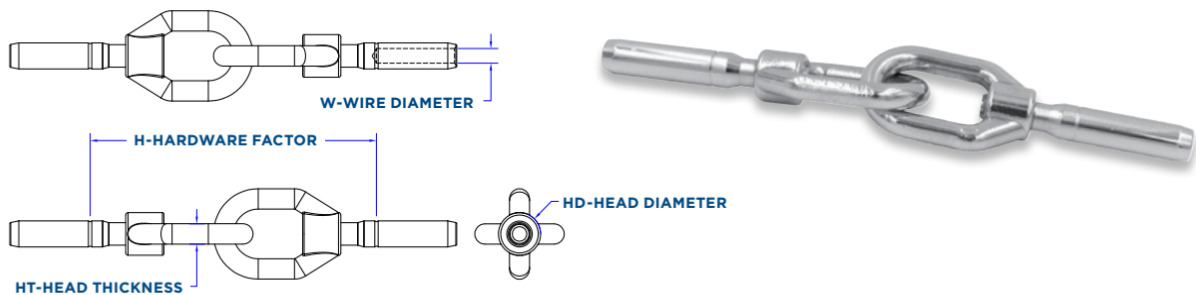
316 Stainless Steel



Part #	W-Wire Ø	Thread	X-Eye Depth	F-Eye Width	HD-Head Diameter	HT-Thickness	H-Hardware Factor	Weight kg
516ELLSM04	4mm	5/16-24	24.6mm	17.4mm	15.0mm	7.1mm	49.2mm	0.040kg
516ELLSM05	5mm	5/16-24	24.6mm	17.4mm	15.0mm	7.1mm	50.8mm	0.045kg

LIFELINE INTERLOCKING GATE EYES (THREADED TYPE)

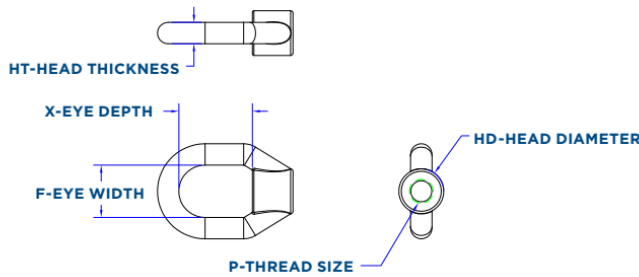
316 Stainless Steel



Part #	W-Wire Ø	Thread	HD-Head Diameter	HT-Thickness	H-Hardware Factor	Weight kg
516ELLIM04	4mm	5/16-24	15.0mm	7.1mm	100.0mm	0.086kg
516ELLIM05	5mm	5/16-24	15.0mm	7.1mm	101.6mm	0.090kg

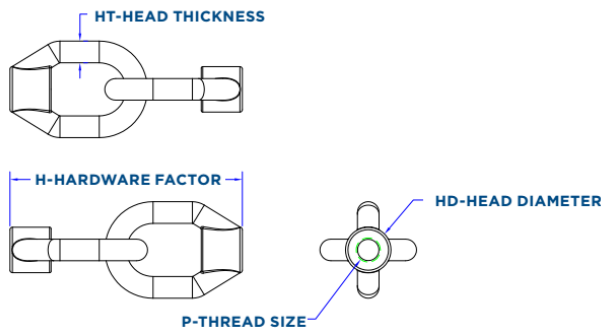
LIFELINE GATE EYES (THREADED TYPE WITHOUT STUDS)

316 Stainless Steel



Single Eye

Part #	P-Thread	HD-Head Ø	X-Eye Depth	F-Eye Width	HT-Head Thickness	Weight kg
14ELLS	1/4-28 LH	14.2mm	24.6mm	17.4mm	7.1mm	0.027kg
516ELLS	5/16-24 LH	14.2mm	24.6mm	17.4mm	7.1mm	0.027kg
38ELLS	3/8-24 LH	14.2mm	24.6mm	17.4mm	7.1mm	0.036kg

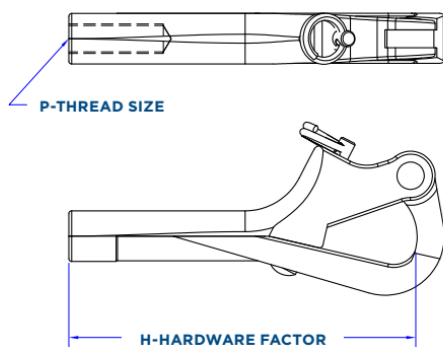


Interlocking Eyes

Part #	P-Thread	HD-Head Ø	HT-Head Thickness	H-Hardware Factor	Weight kg
14ELLI	1/4-28 LH	14.2mm	7.1mm	73.0mm	0.027kg
516ELLI	5/16-24 LH	14.2mm	7.1mm	76.2mm	0.027kg
38ELLI	3/8-24 LH	14.2mm	7.1mm	76.2mm	0.036kg

LIFELINE PELICAN HOOK BODIES

316 Stainless Steel



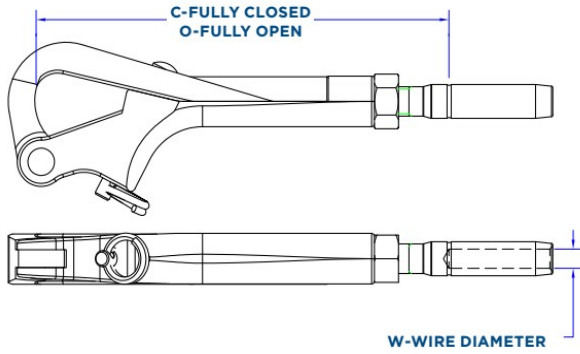
Right Hand

Left Hand

Part #	Part #	P-Thread Size	Body Size	H-Hardware Factor	Weight kg
FPHB3RH	-	1/4-28	76.2mm	69.8mm	0.068kg
FPHBRH	FPHBLH	5/16-24	101.6mm	92.0mm	0.136kg

4 INCH POSITIVE LOCKING PELICAN HOOKS

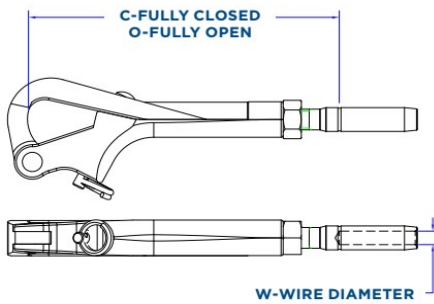
316 Stainless Steel



Part #	W-Wire Ø	Thread	O-Open L	C-Closed L	Weight kg
FPHLLM04	4mm	5/16-24 RH	155.5mm	117.4mm	0.167kg
FPHLLM05	5mm	5/16-24 RH	152.4mm	114.3mm	0.172kg

3 INCH POSITIVE LOCKING PELICAN HOOKS

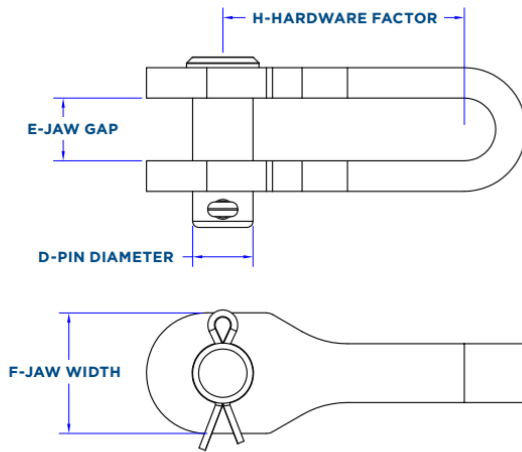
316 Stainless Steel



Part #	W-Wire Ø	Thread	O-Open L	C-Closed L	Weight kg
FPHLLM033	3mm	1/4-28 RH	101.6mm	76.2mm	0.086kg
FPHLLM043	4mm	1/4-28 RH	104.7mm	79.3mm	0.090kg
FPHLLM053	5mm	1/4-28 RH	107.9mm	82.5mm	0.095kg

STRAP STYLE EYE JAW TOGGLES (STANDARD CLEVIS STYLE PIN)

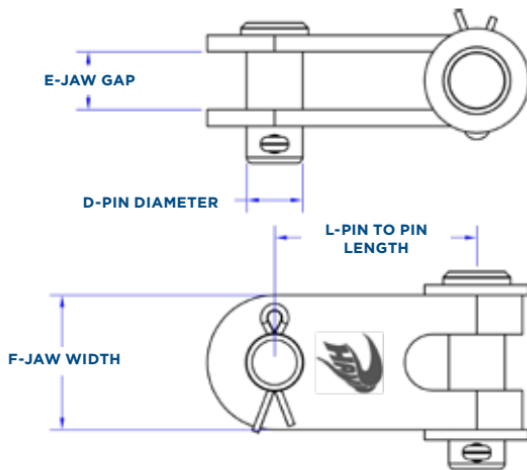
316 Stainless Steel



Part #	D-Pin Ø	E-Jaw Gap	F-Jaw Width	H-Hardware Factor	Weight kg
EJT38	9.5mm	9.5mm	19.0mm	46.0mm	0.068kg
EJT716	11.1mm	11.1mm	25.4mm	50.8mm	0.104kg
EJT12	12.7mm	12.7mm	25.4mm	55.5mm	0.158kg
EJT58	16.0mm	16.0mm	31.7mm	63.5mm	0.299kg
EJT34	19.0mm	19.0mm	38.1mm	73.0mm	0.503kg
EJT78	22.2mm	23.8mm	50.8mm	84.1mm	0.752kg
EJT1	25.4mm	25.4mm	50.8mm	93.6mm	1.11kg

DOUBLE JAW TOGGLES

316 Stainless Steel

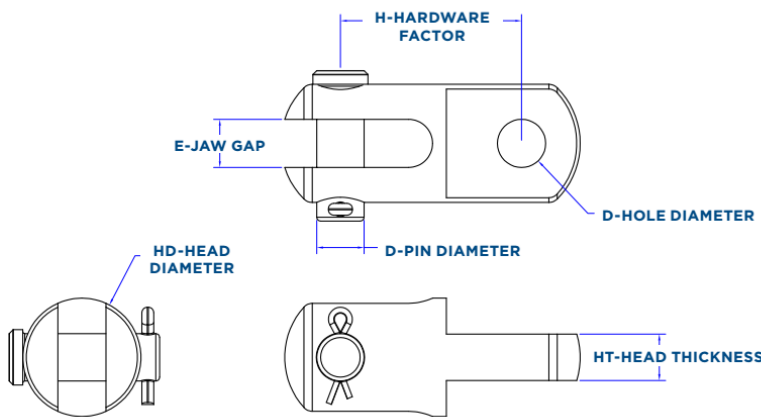


Part #	D-Pin Ø	L-Pin to Pin	E-Jaw Gap	F-Jaw Width	Weight kg
14DJT	6.3mm	22.2mm	6.3mm	16.6mm	0.031kg
516DJT	8.0mm	24.6mm	8.0mm	19.0mm	0.049kg
38DJT	9.5mm	31.7mm	9.5mm	23.0mm	0.077kg
716DJT	11.1mm	44.4mm	11.1mm	26.9mm	0.108kg
12DJT	12.7mm	42.8mm	12.7mm	29.3mm	0.185kg
58DJT	16.0mm	57.1mm	16.0mm	38.1mm	0.358kg
34DJT	19.0mm	68.2mm	19.0mm	47.6mm	0.653kg
78DJT	22.2mm	101.6mm	22.2mm	60.3mm	1.25kg
1DJT	25.4mm	98.4mm	25.4mm	63.5mm	1.56kg
118DJT	28.5mm	101.6mm	28.5mm	69.8mm	2.47kg
114DJT	31.7mm	136.5mm	31.7mm	82.5mm	2.94kg
138DJT	34.9mm	150.8mm	34.9mm	101.6mm	5.15kg

Increased jaw depths available. Call for details.

EYE JAW TOGGLES

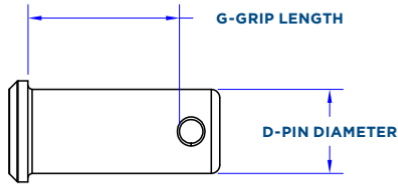
316 Stainless Steel



Part #	D-Pin/Hole Ø	E-Jaw Gap	HD-Head Diameter	HT-Head Thickness	H-Hardware Factor	Weight kg
TOG03	6.3mm	6.3mm	14.2mm	6.3mm	26.9mm	0.027kg
TOG04	8.0mm	8.0mm	18.2mm	8.0mm	33.4mm	0.054kg
TOG05	9.5mm	9.5mm	22.2mm	9.5mm	39.6mm	0.095kg
TOG06	11.1mm	11.1mm	25.4mm	11.1mm	47.6mm	0.154kg
TOG07	12.7mm	12.7mm	28.5mm	12.7mm	50.8mm	0.217kg
TOG08	14.2mm	14.2mm	34.9mm	14.2mm	55.5mm	0.349kg
TOG10	16.0mm	16.0mm	38.1mm	16.0mm	68.2mm	0.485kg
TOG12	19.0mm	19.0mm	47.6mm	19.0mm	73.0mm	0.857kg

CLEVIS PINS

316 Stainless Steel



Marine Architectural Rigging Systems Ltd

Part #	D-Pin Ø	G-Grip Length	Weight kg
SB1	4.7mm	7.1mm	0.0022kg
SB2	4.7mm	10.3mm	0.0022kg
SB3	4.7mm	14.2mm	0.0031kg
SB4	4.7mm	19.0mm	0.0036kg
SB5	4.7mm	23.8mm	0.004kg
SB6	6.3mm	12.7mm	0.004kg
SB7	6.3mm	14.2mm	0.004kg
CP1458	6.3mm	15.8mm	0.004kg
SB8	6.3mm	19.0mm	0.004kg
CP1478	6.3mm	22.2mm	0.004kg
CP141	6.3mm	25.4mm	0.004kg
CP14118	6.3mm	28.5mm	0.004kg
CP14114	6.3mm	31.7mm	0.009kg
CP14112	6.3mm	38.1mm	0.009kg
516CP	8.0mm	14.2mm	0.004kg
BB2	8.0mm	17.4mm	0.009kg
CP5161	8.0mm	25.4mm	0.009kg
CP516118	8.0mm	28.5mm	0.013kg
CP516114	8.0mm	31.7mm	0.013kg
CP516112	8.0mm	38.1mm	0.018kg
38CP	9.5mm	17.4mm	0.013kg
BB3	9.5mm	20.6mm	0.013kg
CP381	9.5mm	25.4mm	0.018kg
CP38114	9.5mm	31.7mm	0.018kg
CP38112	9.5mm	38.1mm	0.022kg
CP71634	11.1mm	19.0mm	0.018kg
BB4	11.1mm	23.0mm	0.022kg
CP7161	11.1mm	25.4mm	0.022kg
12CP	12.7mm	22.2mm	0.031kg
BB5	12.7mm	25.4mm	0.031kg
CP12112	12.7mm	38.1mm	0.045kg
58CP	16.0mm	28.5mm	0.063kg
BB6	16.0mm	31.7mm	0.063kg
34CP	19.0mm	33.4mm	0.104kg
BB7	19.0mm	39.6mm	0.117kg
BB8	22.2mm	46.0mm	0.176kg
78CP	22.2mm	44.4mm	0.176kg
1CP	25.4mm	47.6mm	0.249kg
118CP	28.5mm	57.1mm	0.358kg
114CP	31.7mm	63.5mm	0.530kg
138CP	34.9mm	66.6mm	0.625kg

Cotter Pin Part #:

11612C-1

33234C-1

181C-1

532114C-1

316112C-1

142C-1

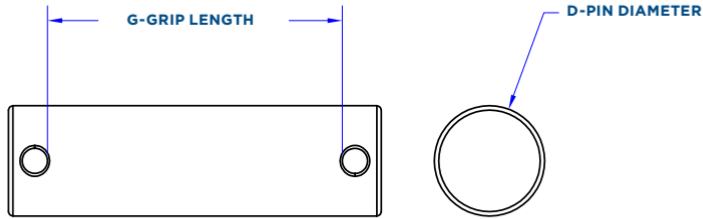
Replacement Clevis Pins

These pins are highlighted in the adjacent chart.

Usage	Part #
3/16" Pin Adjuster	SB1
3/16" Toggle Jaw	SB2
1/4" Toggle Jaw	SB6
5/16" Toggle Jaw	516CP
3/8" Toggle Jaw	38CP
7/16" Toggle Jaw	716CP
1/2" Toggle Jaw	12CP
5/8" Toggle Jaw	58CP
3/4" Toggle Jaw	34CP
7/8" Toggle Jaw	78CP
1" Toggle Jaw	1CP
1 1/8" Toggle Jaw	115CP
1 1/4" Toggle Jaw	114CP
1 3/8" Toggle Jaw	138CP

RIGGING PINS

316 Stainless Steel



Marine Architectural Rigging Systems Ltd

Part #	D-Pin Ø	G-Grip Length	Weight kg
RP1434	6.3mm	19.0mm	0.004kg
RP1478	6.3mm	22.0mm	0.004kg
RP141	6.3mm	25.4mm	0.004kg
RP14118	6.3mm	28.5mm	0.009kg
RP14114	6.3mm	31.7mm	0.009kg
RP14112	6.3mm	38.1mm	0.009kg
RP14134	6.3mm	44.4mm	0.009kg
RP142	6.3mm	50.8mm	0.013kg
RP14214	6.3mm	57.1mm	0.013kg
RP14212	6.3mm	63.5mm	0.013kg
RP14312	6.3mm	88.9mm	0.022kg
RP51634	8.0mm	19.0mm	0.009kg
RP51678	8.0mm	22.2mm	0.009kg
RP5161	8.0mm	25.4mm	0.009kg
RP516118	8.0mm	28.5mm	0.013kg
RP516114	8.0mm	31.7mm	0.013kg
RP516112	8.0mm	38.1mm	0.013kg
RP516134	8.0mm	44.4mm	0.018kg
RP5162	8.0mm	50.8mm	0.022kg
RP516214	8.0mm	57.1mm	0.022kg
RP516212	8.0mm	63.5mm	0.027kg
RP516312	8.0mm	88.9mm	0.036kg
RP3834	9.5mm	19.0mm	0.013kg
RP3878	9.5mm	22.2mm	0.013kg
RP381	9.5mm	25.4mm	0.018kg
RP38118	9.5mm	28.5mm	0.018kg
RP38114	9.5mm	31.7mm	0.018kg
RP38112	9.5mm	38.1mm	0.022kg
RP38134	9.5mm	44.4mm	0.027kg
RP382	9.5mm	50.8mm	0.031kg
RP38214	9.5mm	57.1mm	0.036kg
RP38212	9.5mm	63.5mm	0.036kg
RP38312	9.5mm	88.9mm	0.049kg
RP71634	11.1mm	19.0mm	0.018kg
RP71678	11.1mm	22.2mm	0.022kg
RP7161	11.1mm	25.4mm	0.022kg

Part #	D-Pin Ø	G-Grip Length	Weight kg
RP716118	11.1mm	28.5mm	0.027kg
RP716114	11.1mm	31.7mm	0.031kg
RP716112	11.1mm	38.1mm	0.036kg
RP716134	11.1mm	44.4mm	0.040kg
RP7162	11.1mm	50.8mm	0.045kg
RP716214	11.1mm	57.1mm	0.049kg
RP716212	11.1mm	63.5mm	0.054kg
RP716312	11.1mm	8.9mm	0.072kg
RP121	12.7mm	25.4mm	0.036kg
RP12118	12.7mm	28.5mm	0.036kg
RP12114	12.7mm	31.7mm	0.040kg
RP12112	12.7mm	38.1mm	0.045kg
RP12134	12.7mm	44.4mm	0.049kg
RP122	12.7mm	50.8mm	0.058kg
RP12214	12.7mm	57.1mm	0.063kg
RP12212	12.7mm	63.5mm	0.072kg
RP12312	12.7mm	88.9mm	0.095kg
RP12612	12.7mm	165.1mm	0.172kg
RP581	16.0mm	25.4mm	0.054kg
RP58118	16.0mm	28.5mm	0.058kg
RP58114	16.0mm	31.7mm	0.068kg
RP58112	16.0mm	38.1mm	0.072kg
RP58134	16.0mm	44.4mm	0.086kg
RP582	16.0mm	50.8mm	0.095kg
RP58214	16.0mm	57.1mm	0.104kg
RP58212	16.0mm	63.5mm	0.113kg
RP58312	16.0mm	88.9mm	0.154kg
RP58612	16.0mm	165.1mm	0.276kg
RP341	19.0mm	25.4mm	0.081kg
RP34114	19.0mm	31.7mm	0.095kg
RP34112	19.0mm	38.1mm	0.113kg
RP342	19.0mm	50.8mm	0.140kg
RP34214	19.0mm	57.1mm	0.154kg
RP34212	19.0mm	63.5mm	0.167kg
RP34312	19.0mm	88.9mm	0.226kg

COTTER PINS

304 Stainless Steel

Part #	Size Ø	Grip Length	Weight kg
11612C-1	1.5mm	12.7mm	0.0004kg
116112C-1	1.5mm	38.1mm	0.0009kg
33234C-1	2.3mm	19.0mm	0.0009kg
332114C-1	2.3mm	31.7mm	0.0013kg
181C-1	3.1mm	25.4mm	0.0027kg
18212C-1	3.1mm	63.5mm	0.004kg
183C-1	3.1mm	76.2mm	0.004kg
532114C-1	3.9mm	31.7mm	0.004kg
316112C-1	4.7mm	38.1mm	0.004kg



HEX NUTS

18-8 Stainless Steel

Right Hand Left Hand

Part #	Part #	Thread Size	Weight kg
10LNR	10LNL	10-32	0.0013kg
14LNR	14LNL	1/4-28	0.0031kg
516LNR	516LNL	5/16-24	0.004kg
38LNR	38LNL	3/8-24	0.004kg
12LNR	12LNL	1/2-20	0.013kg
58LNR	58LNL	5/8-18	0.031kg
34LNR	34LNL	3/4-16	0.045kg
78LNR	78LNL	7/8-14	0.081kg
1LNR	1LNL	1-12	0.117kg



ADJUSTER NUTS

316 Stainless Steel

Right Hand Left Hand

Part #	Part #	Thread Size	Weight kg
10SAN	-	10-32	0.004kg
14SAN	14ALLARN	1/4-28	0.009kg



WIRE ROPE CLIPS (FORGED SS)

316 Stainless Steel

Part #	Wire Size	# Required*	Weight kg
WRC2	1/8"	2	0.009kg
WRC4	5/32" - 3/16"	2	0.013kg
WRC6	7/32" - 1/4"	2	0.072kg
WRC8	9/32" - 5/16"	2	0.058kg
WRC10	3/8"	2	0.077kg
WRC12	1/2"	3	0.231kg
WRC14	9/16"	3	0.154kg
WRC16	5/8"	3	0.167kg

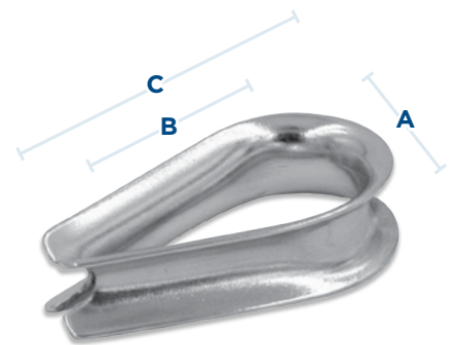


*NOTE: Required # is for full strength of cable.

THIMBLES (STANDARD DUTY)

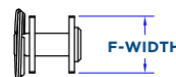
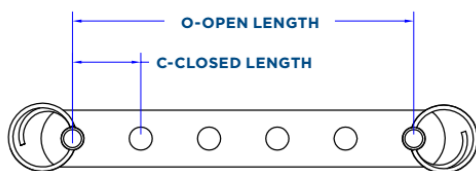
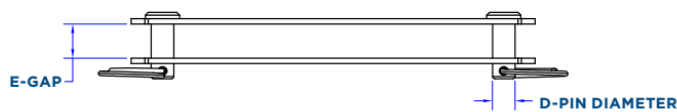
316 Stainless Steel

Part #	Wire Size	A	B	C	Weight kg
TH332	3/32"	7.0mm	12.0mm	21.0mm	0.0018kg
TH18	1/8"	9.0mm	14.0mm	23.0mm	0.0022kg
TH532	5/32"	11.0mm	16.0mm	27.0mm	0.0031kg
TH316	3/16"	14.5mm	21.0mm	31.0mm	0.004kg
TH732	7/32"	16.0mm	26.0mm	39.0mm	0.004kg
TH14	1/4"	18.5mm	29.0mm	42.0mm	0.009kg
TH516	5/16"	21.0mm	35.0mm	50.0mm	0.013kg
TH38	3/8"	26.0mm	42.0mm	59.0mm	0.027kg
TH12	1/2"	31.0mm	48.0mm	70.0mm	0.036kg



STAY EXTENDERS

316 Stainless Steel



Part #	D-Pin Ø	O-Open Length	C-Closed Length	E - Gap	F-Width	Weight kg
14EX	6.3mm	95.2mm	19.0mm	9.5mm Max.	16.0mm	0.045kg
516EX	8.0mm	111.1mm	22.2mm	12.7mm Max.	19.0mm	0.077kg
38EX	9.5mm	127.0mm	25.4mm	12.7mm Max.	25.4mm	0.149kg
12EX	12.7mm	142.8mm	28.5mm	16.0mm Max.	31.7mm	0.290kg
58EX	16.0mm	158.7mm	31.7mm	16.0mm Max.	38.1mm	0.580kg
34EX	19.0mm	198.4mm	39.6mm	19.0mm Max.	47.6mm	1.17kg